

JANUS CONTROL VALVES

DN16 DIRECTIONAL VALVE

Pilot Operation

Actuation by water, oil or compressed air pilot is possible on all configurations. The water version is also available with an integral DN3 solenoid operated pilot valve. Please note: adequate flow must be available to ensure the full travel of the valve is made. The pilot piston can be sized to vary the pilot actuation pressure between 2 and 80 bar. The external pilot actuator is designed to operate at a pressure of 40 bar, although alternatives can be offered on request. For oil pilot, the actuator is supplied with a dual seal and air vent design to prevent cross contamination of the fluids.

Return Options

The valves shown are all spring return however, the valves can be offered with a detent function and pilot return if preferred.

SPECIFICATION	
Max Inlet Pressure	160 bar
Operating Pressure Range	0 to 100 bar
Flow Range	0-140 L/min
Flow Characteristics	CV Rate 5.0 Kv Rate 4.26
Feed Gallery Diameter	18mm
Porting	3/4" BSP (Parallel)
Construction Materials	A.I.S.I 316, Polymer & Martensitic Stainless steel
Pilot Operation	See Note
Pilot Media	Water, Air & Oil



Functions:

- 4/3 with blocked P, AB&T joined at the centre
- 4/3 with open centre All ports joined at centre
- 4/2
- 3/2 N/O
- 3/2 N/C

The size of the pilot actuation can be modified to generate an actuation of different pilot pressure. For specific operating range contact TWHC. The DN16 is also available with an integral 3/2 solenoid operated pilot actuation valve. See 20*EESW for basic dimensions.

Electrical Actuation

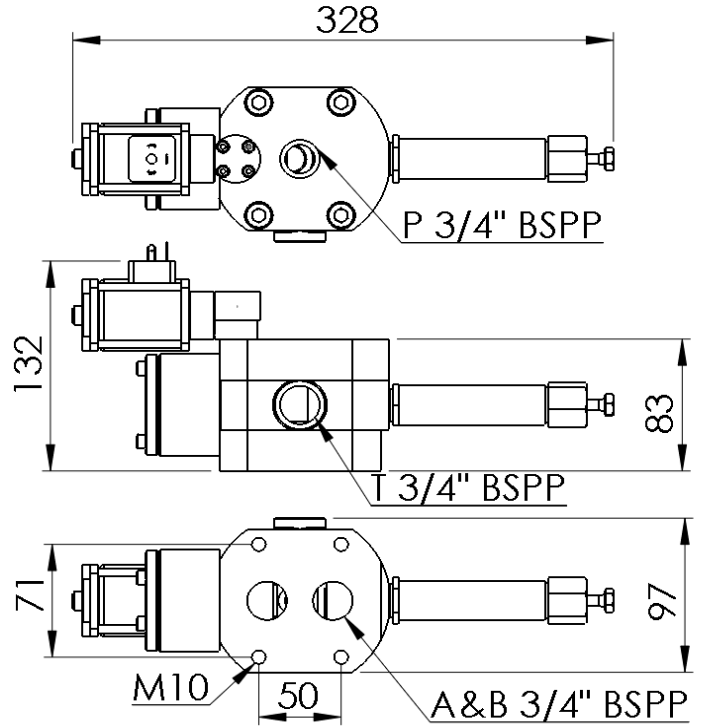
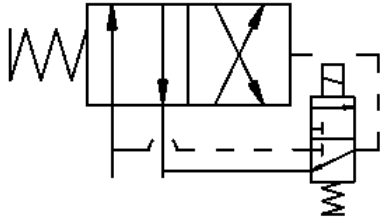
Due to actuation forces and stroke length a direct solenoid operation is not possible with this size of valve. However, stepper motor control is under development.

ORDERING CODES	Ext. Water Pilot	Oil Pilot	Air Pilot
	201EJSW	201ELSW	201EFSW
	208EJSW	208ELSW	208EFSW
	203EJSW	203ELSW	203EFSW

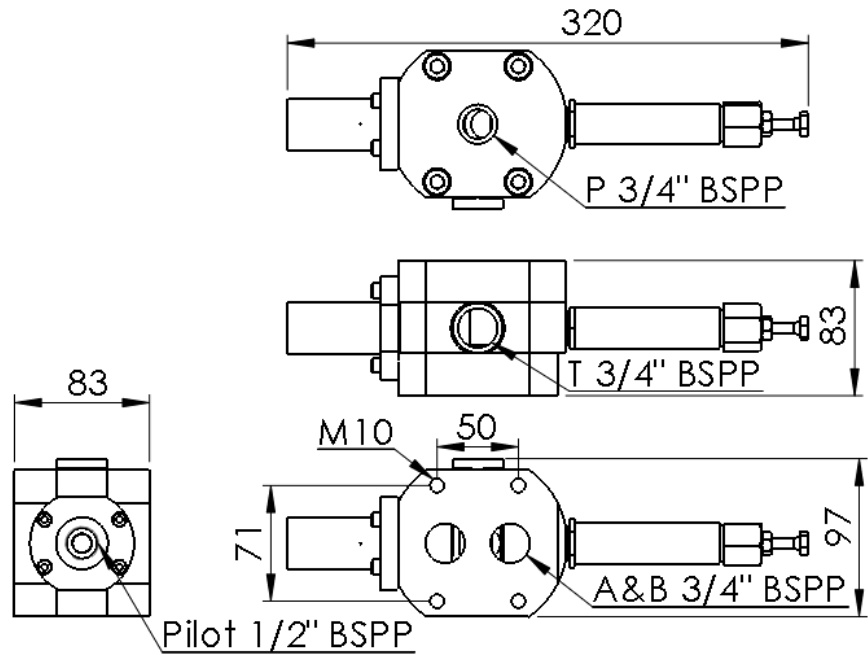
JANUS CONTROL VALVES

DN16
 DIRECTIONAL VALVE

201EDSW & 201EESW



201EJSW , 201ELSW & 201EFSW

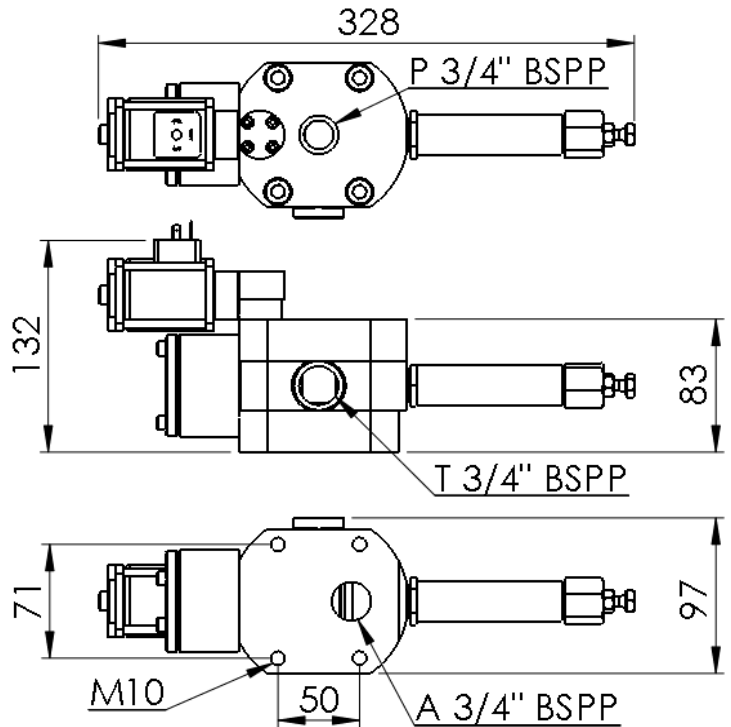
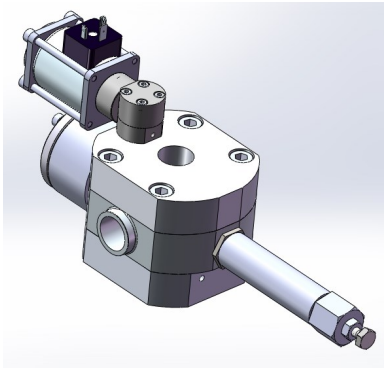
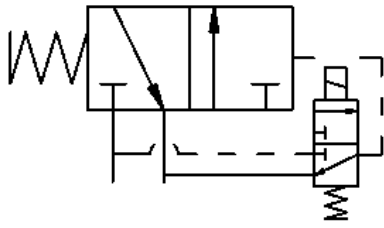


Actuation housing size may vary with type of pilot and operating pressures. 4/2 valve shown but also available in 3/2 with N/O or N/C

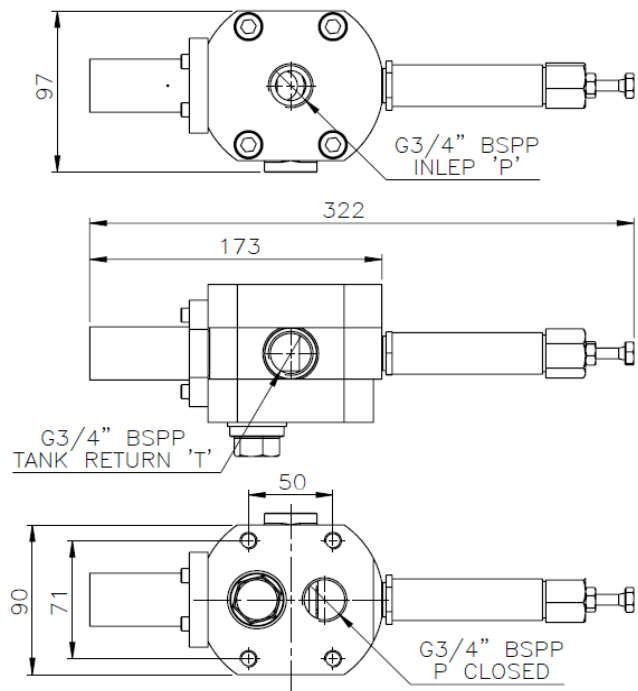
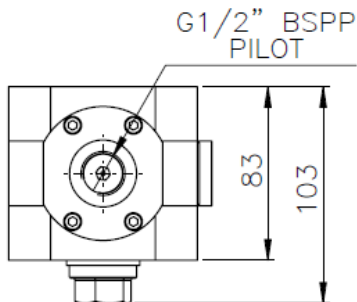
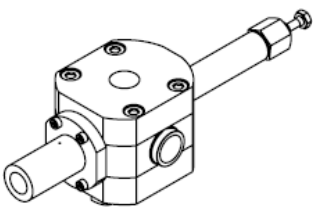
JANUS CONTROL VALVES

DN16
DIRECTIONAL VALVE

203EDSW & 203EESW



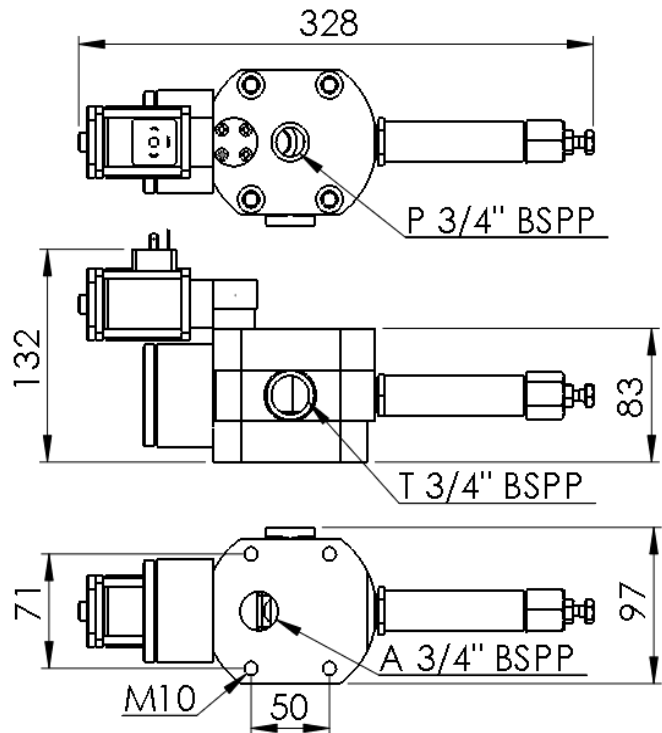
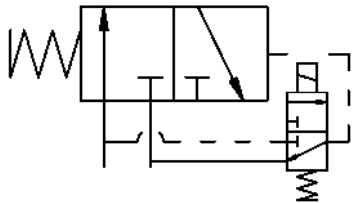
203EJSW , 203ELSW & 203EFSW



JANUS CONTROL VALVES

DN16
DIRECTIONAL VALVE

208EDSW & 208EESW



208EJSW , 208ELSW & 208EFSW

