

JANUS CONTROL VALVES

ELECTRONIC FLOW CONTROL VALVE

Design

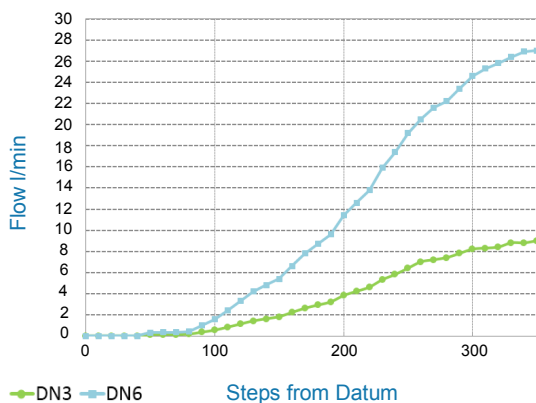
The range of flow control valves are driven by a high accuracy stepper motor to ensure maximum precision for control by either open or closed loop means. The valves can be configured for manual/joystick input or to specific output speed/positional control. Closed loop feedback via output transducers is also possible with the use of an ST5 advanced micro-step programmable controller which is available with a 48V stable power supply if required. (Please see ST5 data sheet for further information). Additional output can also be offered for fail-safe configurations should such a function be necessary.

Software is available for purchase and downloadable via www.waterhydraulics.co.uk

SPECIFICATION	
Max Inlet Pressure	200 bar
Operating Pressure Range	0 to 160 bar
Flow Range	0-30 L/min
Feed Gallery Diameter	3mm & 6mm
Porting	BSP (Parallel) & Manifold
Construction Materials	316 Stainless Steel, Ceramic & Polymer
Motor Operation	48V DC
Electrical Connections	Flying lead or Plug
Current	125 mA



Flow Characteristics based on 100 bar supply pressure



Directional Flow Control Valve

Due to the very low viscosity of the fluid, the maximum orifice size (i.e. minimum pressure drop) for each application must be specified. The valve is therefore offered in either a 0.5-10L or a 5-30L port configuration to ensure maximum accuracy is gained across the full flow range. For fail safe function an additional N/C 2/2 valve is adopted in the P Line.

Pressure Control Valve

Available from 1 to 100l/min.

See pressure control valve data sheet for more information.

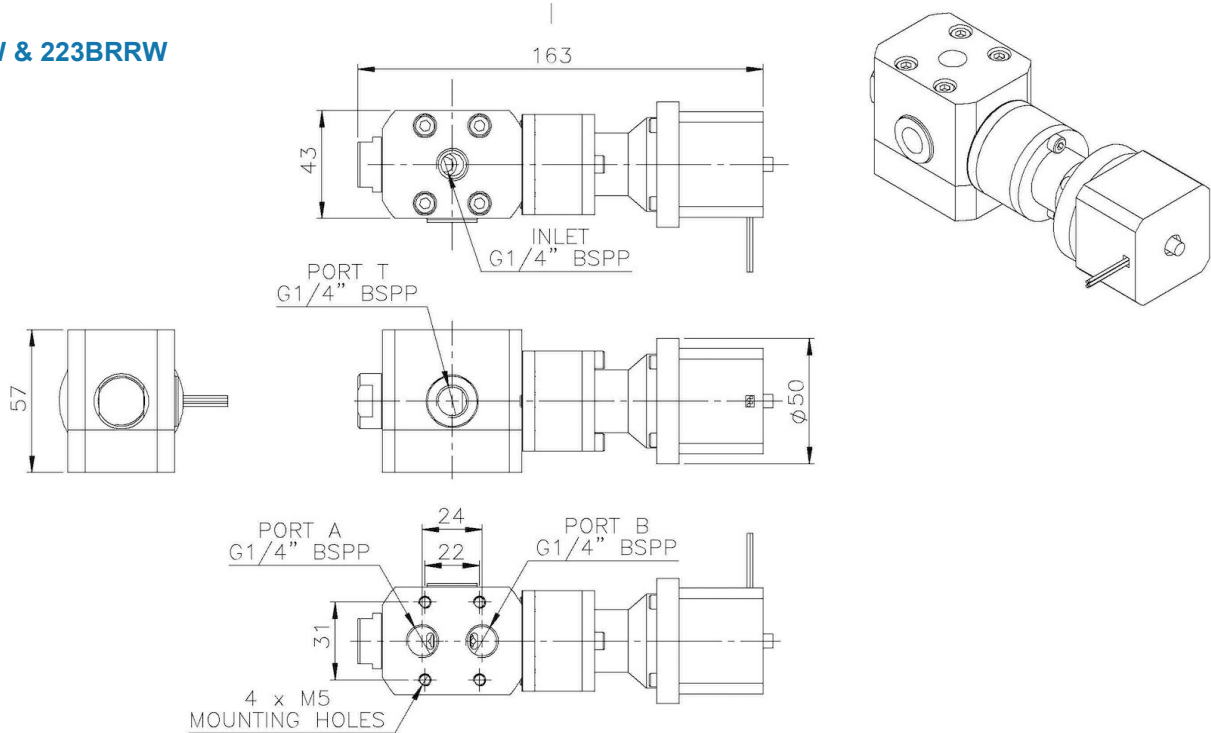
Additional on/off valves will need to be fitted if fail safes are required.

ORDERING CODES	STANDARD BUILD	MANIFOLD MOUNT	STANDARD BUILD	MANIFOLD MOUNT
	DN3 (1-10 L/min)		DN6 (3-30 L/min)	
<p>4/3 Valve Centre Position Closed P</p>	223ARRW	2M23ARRW	223BRRW	2M23BRRW

JANUS CONTROL VALVES

ELECTRONIC FLOW CONTROL VALVE

223ARRW & 223BRRW



2M23ARRW & 2M23BRRW

